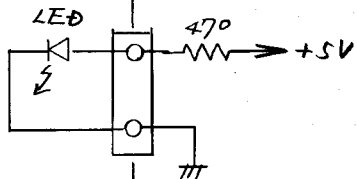
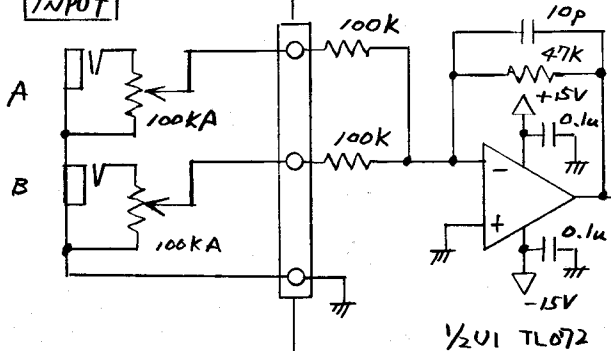


FRONT PANEL

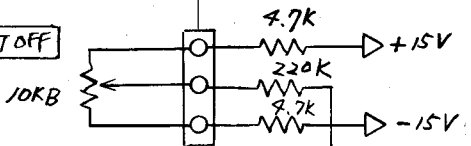
POWER



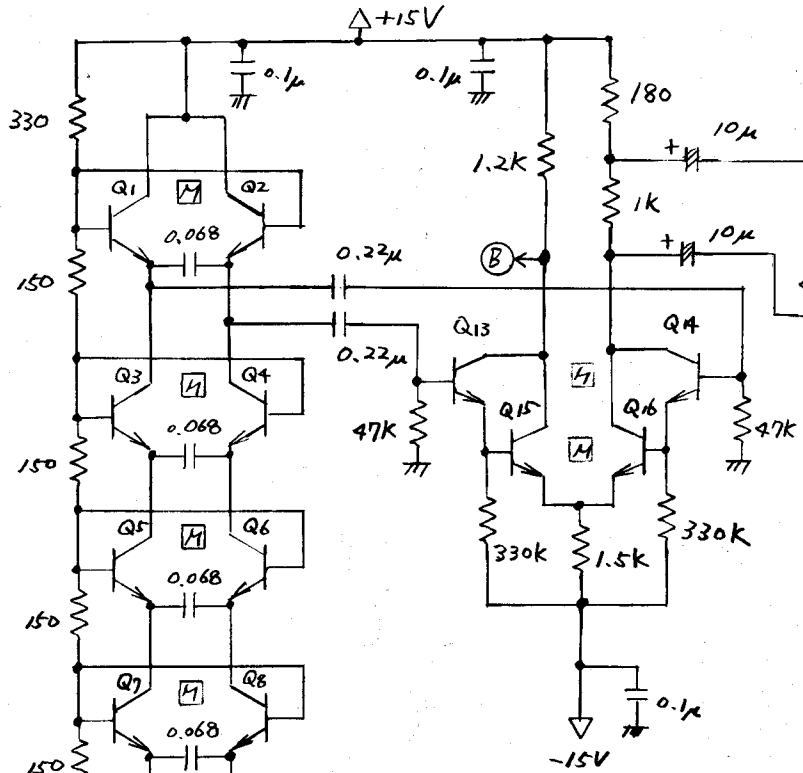
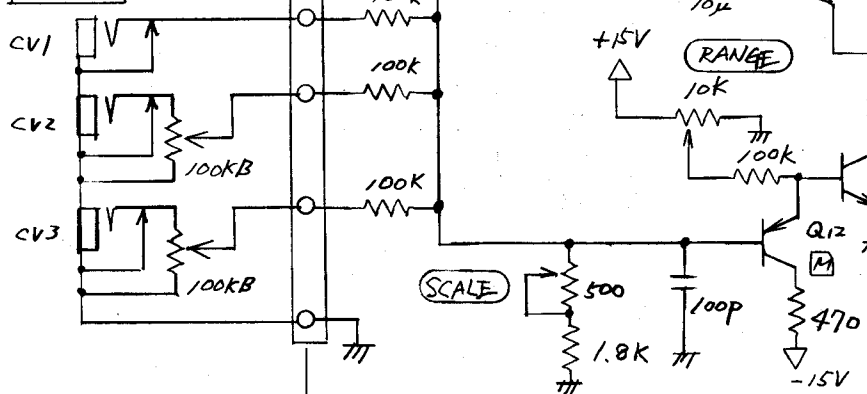
INPUT



CUTOFF

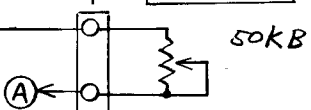


CONTROL

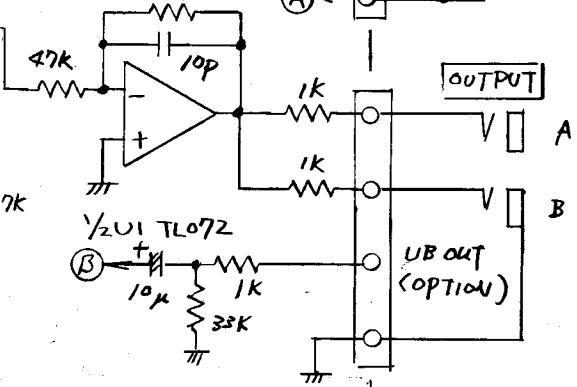


FRONT PANEL

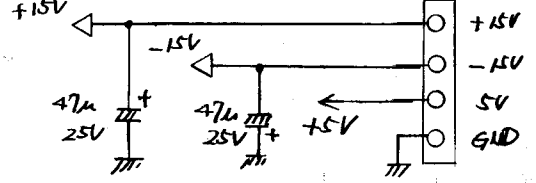
RESONANCE



OUTPUT



FRONT POWER SUPPLY



ALL NPN TR 2SC1815
 ALL PNP TR 2SA1015
 [Symbol] MATCHED PAIR TR

PROJECT	DIY SYNTHÉ	DWN
TITLE	202A VCF (MINI MODG TYPE)	0095
DATE	Sep. 18. 2004	REV
		A
Radio Junk Box		