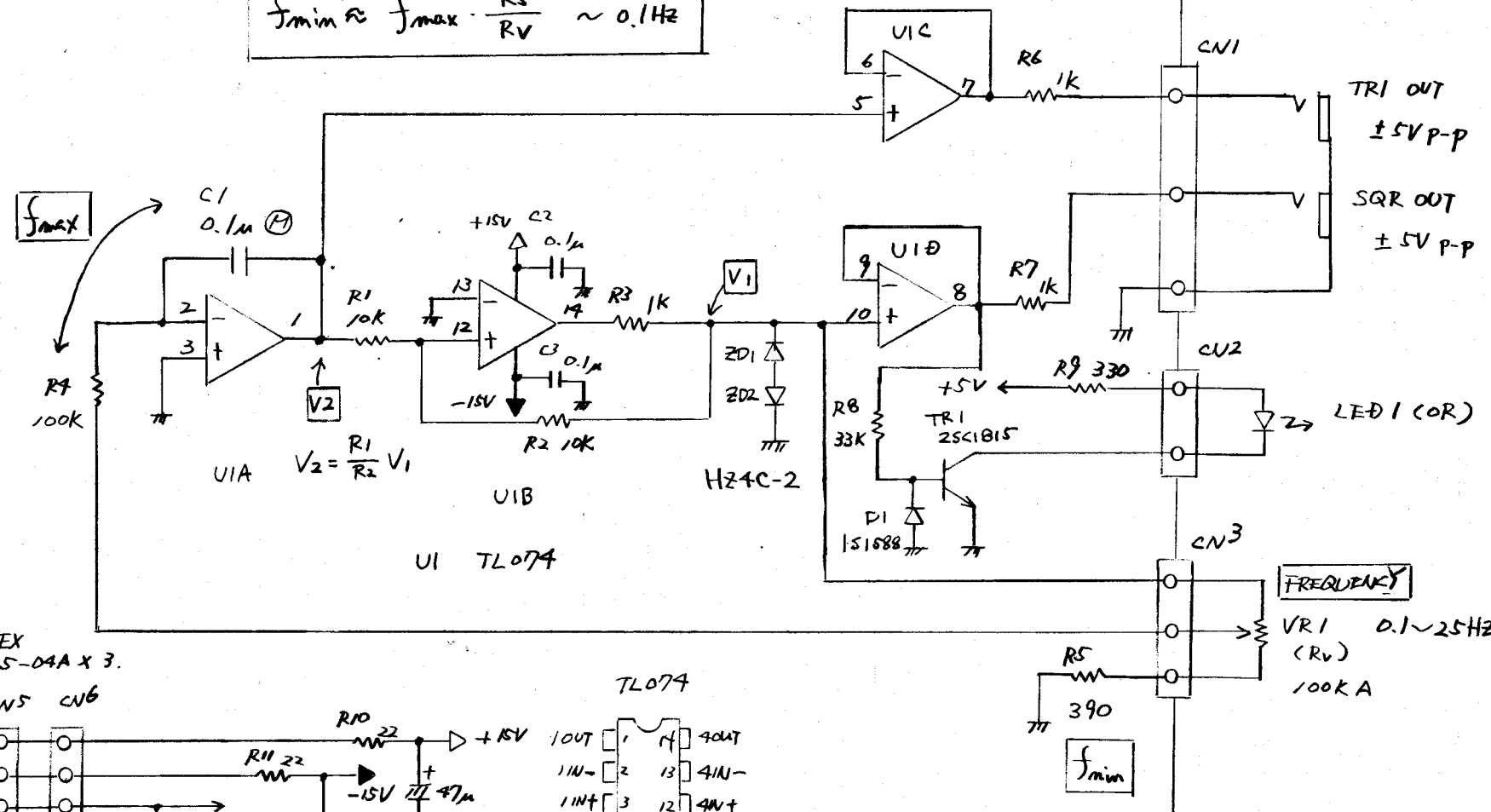


LFO PCB

$$f_{max} \approx \frac{1}{4 C_1 R_4} \frac{R_2}{R_1} \sim 25 \text{ Hz}$$

$$f_{min} \approx f_{max} \cdot \frac{R_5}{R_V} \sim 0.1 \text{ Hz}$$



FRONT PANEL

TRI OUT  
± 5V P-P

SQR OUT  
± 5V P-P

LED1 (OR)

FREQUENCY

VR1 0.1~25Hz  
(Rv)  
100kA

POWER SUPPLY.

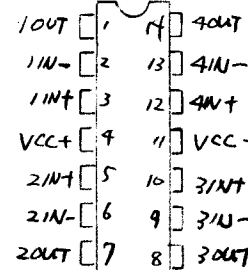
MOLEX 5045-04A x 3.

CN4 CN5 CN6

+15V  
-15V  
+5V  
GND

PS Term.  
SUM & MUL PCB

TL074



PROJECT	DIY SYNTH	DWN	0037
TITLE	901A LFO	REV	A
DATE	APR 25 2004	Radio Junk Box	