

FRONT PANEL

FRONT PANEL

INPUT

A

B

MODE SW

ON A x B  
OFF A + B

GAIN

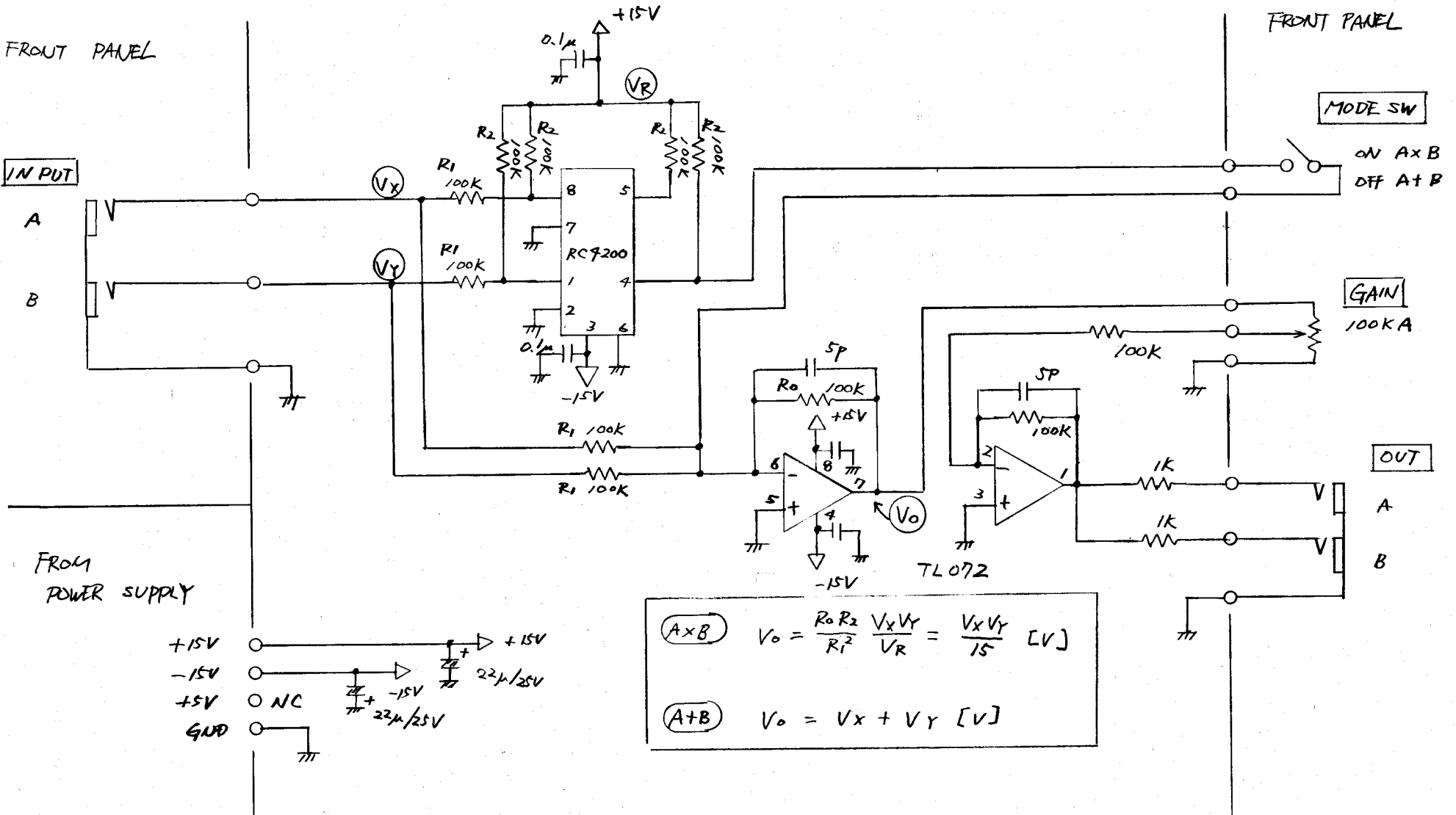
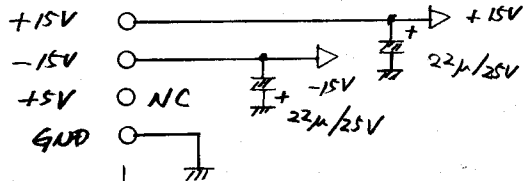
100K A

OUT

A

B

FROM  
POWER SUPPLY



$$\text{A} \times \text{B} \quad V_o = \frac{R_o R_2}{R_1^2} \frac{V_x V_y}{V_R} = \frac{V_x V_y}{15} \text{ [V]}$$

$$\text{A} + \text{B} \quad V_o = V_x + V_y \text{ [V]}$$

PROJECT	DIY SYNTHÉ	DWN	0046
TITLE	901A RING MOD & SUMMING	REV	A
DATE	Oct. 2 2004	Radio Junk Box	