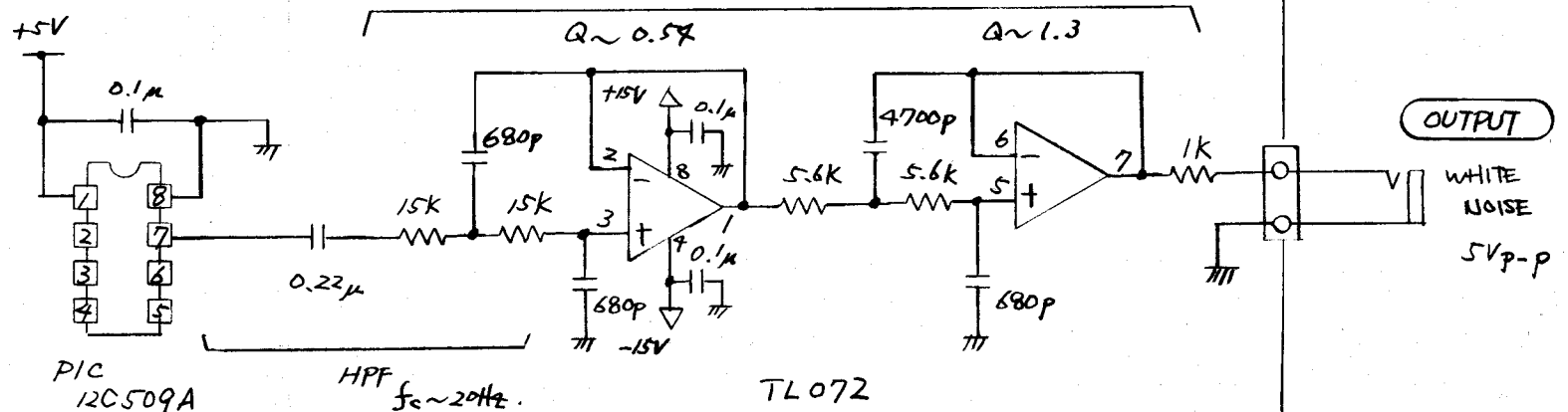


4th ORDER BUTTERWORTH LPF
 $f_c = 16\text{kHz}$



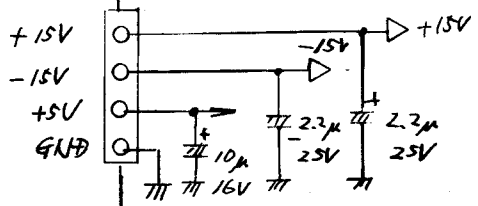
PIC
 12C509A
 PN GEN.

TL072

$$\omega_0 = \frac{1}{RC}$$

$$C_1 = 2QC$$

$$C_2 = \frac{C}{2Q}$$



PROJECT	DIY SYNTH.	DWN
TITLE	PIC NOISE GEN	0090
DATE	JUN. 26 2007	REV A
Radio Junk Box		